

Child and Booster Seat Guide | Australia

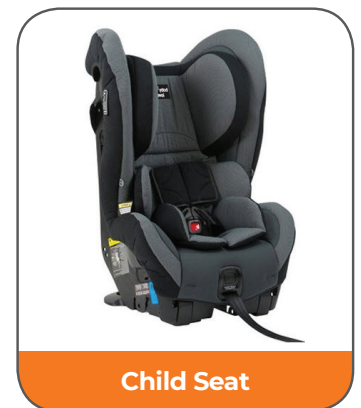
01 April 2023 – 31 March 2024



Child restraints for all vehicles

The type of restraint required for your child depends on their age as follows:

- Children aged **under six months** (up to 9kg) must travel in an approved, properly fastened and adjusted, rear facing child seat restraint. **An anchor point is required for this seat.** Children in this category cannot be seated in the front passenger seat of our vehicles
- Children aged **between six months and under four years** (8-18kg) must travel in an approved, properly fastened and adjusted, rear facing child seat restraint **OR** a forward facing child restraint with an in-built harness. **An anchor point is required for these seats.** Children in this category cannot be seated in the front passenger seat of our vehicles
- Children aged **between four years and under seven years** (14-26kg) must travel in an approved, properly fastened and adjusted, forward facing child seat restraint with an in-built harness (**anchor point required**) **OR** an approved booster seat which is properly positioned and fastened with a standard lap-sash seatbelt. Whilst it is legal (under certain circumstances) for a child in this category to sit in the front seat, **thl** does not recommend any child under seven years (under 26kg/145cm) travels in the front passenger seat
- An adult lap-sash seatbelt is designed for people with a minimum height of 145cm. A child should continue using a forward facing restraint or booster seat until they have outgrown it.

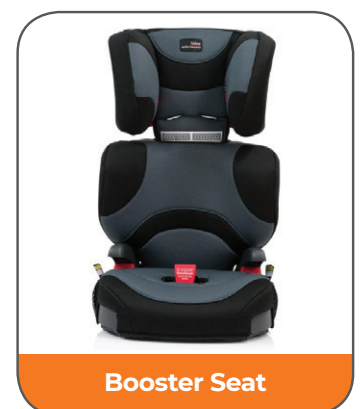


Hiring a child or booster seat or bringing your own

- Child seats and Booster seats are available for hire from all **thl** branches for AU\$42 per hire. Child/booster seats are included in the Inclusive Pack for each brand. We strongly recommend any child restraints are pre booked.
- All child restraints must comply with current Australian Standards and must be labelled with an Australian Standards sticker for the standard AS/NZS 1754
- Child and Booster seats brought from overseas do not comply with the Australian and New Zealand standard and it is illegal to use them in Australia
- **It is the responsibility of the driver to fit the seats in the vehicle**

Where your child can sit*

- Front passenger seats AND *rear facing* passenger seats in all vehicles are not fitted with anchor points and cannot accommodate children under four years in any case
- A child seat restraint with an in-built harness can only be fitted where there is an anchor point
- Booster seats can be fitted wherever there is a standard lap-sash seatbelt
- If all appropriate rear seats are being used by children under seven years, children aged between four and six years (inclusive) may travel in the front passenger seat, provided they use an approved booster seat, although **thl** does not recommend any child under seven years (or under 145cm) travels in the front passenger seat
- Equally, children in approved booster seats are permitted to travel in the vehicle's rear facing passenger seats if the forward facing seats in the rear are occupied by children under seven years old in suitable child restraints or booster seats

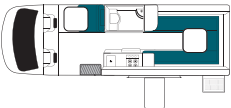
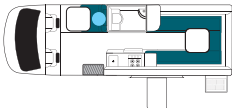
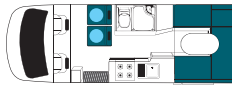

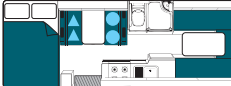


PLEASE NOTE: This is designed as a guide only. For further information please discuss with your Reservations Consultant.

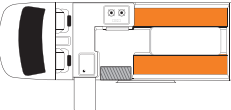
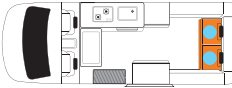

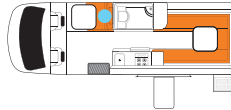

For further details on where your child can sit in our campervans please see overleaf.

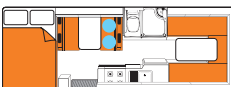
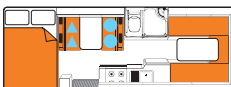
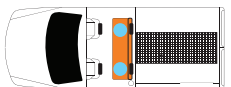
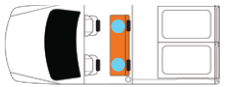


maui



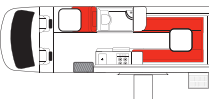
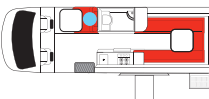
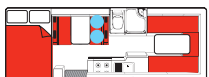
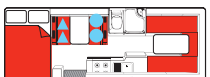
ultima	ultima plus	cascade	beach	river
				
*A Booster seat can be fitted to the front passenger seat (not recommended by thl)	● Anchor point positioned here for Child seats 1 x Child or 1 x Booster seat can be fitted	● Anchor point positioned here for Child seats 2 x Child seats OR 2 x Booster seats can be fitted	● Anchor point positioned here for Child seats 2 x Child seats OR 2 x Booster seats can be fitted	● Anchor point positioned here for Child seats ▲ Lap-sash seatbelt for Booster seats 2 x Child seats and 2 x Booster seats OR 4 x Booster seats can be fitted

Britz

HiTop	Voyager	Venturer	Venturer Plus	Discovery
				
*A Booster seat can be fitted to the front passenger seat (not recommended by thl)	● Anchor point positioned here for Child seats 2 x Child seats OR 2 x Booster seats can be fitted	*A Booster seat can be fitted to the front passenger seat (not recommended by thl)	● Anchor point positioned here for Child seats 1 x Child seat OR 1 x Booster seat can be fitted	● Anchor point positioned here for Child seats 2 x Child seats OR 2 x Booster seats can be fitted

Explorer	Frontier	Safari Auto 4WD	Outback 4WD
			
● Anchor point positioned here for Child seats 2 x Child seats OR 2 x Booster seats can be fitted	● Anchor point positioned here for Child seats ▲ Lap-sash seatbelt for Booster seats 2 x Child seats and 2 x Booster seats OR 4 x Booster seats can be fitted	● Anchor point positioned here for Child seats 2 x Child seats OR 2 x Booster seats can be fitted	● Anchor point positioned here for Child seats 2 x Child seats OR 2 x Booster seats can be fitted

mighty CAMPERS

HIGHBALL	DOUBLE DOWN	DEUCE	DEUCE PLUS	DOUBLE UP	BIG SIX
					
*A Booster seat can be fitted to the front passenger seat (not recommended by thl)	● Anchor point positioned here for Child seats 2 x Child seats OR 2 x Booster seats can be fitted	*A Booster seat can be fitted to the front passenger seat (not recommended by thl)	● Anchor point positioned here for Child seats 1 x Child seat OR 1 x Booster seat can be fitted	● Anchor point positioned here for Child seats 2 x Child seats OR 2 x Booster seats can be fitted	● Anchor point positioned here for Child seats ▲ Lap-sash seatbelt for Booster seats 2 x Child seats and 2 x Booster seats OR 4 x Booster seats can be fitted

The dining table must not be in place whilst driving